

Current part is item (26) on diagram. Available at [www.oshkoshequipment.com](http://www.oshkoshequipment.com)

(1)	(2)	(3)	(4)	(5)	(6)	(7)	(8)
ILLUS.							QTY
(a)	(b)	SMR	NATIONAL	PART		DESCRIPTION	U/M
FIG.	ITEM	CODE	STOCK	NUMBER	FSCM		INC
NO.	NO.		NUMBER			USABLE ON CODE	UNIT
1209-AIR COMPRESSOR ASSEMBLY (CONT'D)							
103	21	PAOZZ	5305-00-269-3214	MS90725-64	96906	SCREW,CAP,HEX HEAD: ADJUSTABLE PULLEY HALF PULLEY FLANGE	EA 2
103	22	PAOZZ	5310-00-959-4675	MS35340-46	96906	WASHER,LOCK: ADJUSTABLE PULLEY HALF PULLEY FLANGE	EA 2
103	23	PAOZZ	3030-00-294-9541	8332236	19207	BELT: DRIVE, AIR COMPRESSOR AA	EA 1
103	23	PAOZZ	3030-00-849-1033	10889932	19207	BELT: DRIVE,AIR COMPRESSOR AB,AC	EA 1
103	24	PAOZZ	2530-00-860-0572	10889937	19207	FLANGE,PULLEY COMPRESSOR: COMPRESSOR DRIVE	EA 1
103	25	PAOZZ	5310-00-045-1083	451083	21450	NUT,SELF-LOCKING,HEXAGON: AIR COMPRESSOR PULLEY TO SHAFT	EA 1
103	26	PAOZZ	2530-00-860-0574	10889933	19207	GASKET,SUPPORT: COMPRESSOR TO CRANKCASE	EA 1
103	27	PAOZZ	5310-00-080-6004	MS27183-14	96906	WAHSER,FLAT: COMPRESSOR SUPPORT CRANKCASE	EA 7
103	28	PAOZZ	5305-00-269-3210	MS90725-59	96906	SCREW,CAP,HEX HEAD: COMPRESSOR SUPPORT TO CRANKCASE	EA 7
103	29	PAOZZ	2815-00-936-5346	10951011	19207	SUPPORT,COMPRESSOR: MOUNTING	EA 1
103	30	PAOZZ	4730-00-044-4688	444688	21450	PLUG,PIPE: COMPRESSOR SUPPORT OIL HOLE	EA 1
103	31	PAOZZ	5307-00-851-8971	10899085	19207	STUD,PLAIN: COMPRESSOR SUPPORT (USED WITH ALUMINUM SUPPORT)	EA 4
103	31	PAOZZ	5307-00-912-5635	10935517	19207	STUD,PLAIN: COMPRESSOR SUPPORT (USED WITH IRON SUPPORT)	EA 4
103	32	PAOZZ	2815-00-455-9497	10896327	19207	BRACKET: TACHOMETER CABLE CLIP	EA 1
103	33	PAOZZ	5330-00-064-6667	7748825	19207	GASKET: COMPRESSOR TO SUPPORT	EA 1
103	34	PAOZZ	5310-00-880-8189	MS51967-11	96906	NUT,PLAIN,HEX HEAD: COMPRESSOR SUPPORT	EA 4
103	35	PAOZZ	5310-00-655-9370	MS35340-47	96906	WASHER,LOCK: COMPRESSOR SUPPORT	EA 4
103	SET	PAOZZ	5330-00-071-5328	5702691		GASKET SET: AIR COMPRESSOR CONSISTING OF:	EA 1
103	2		5330-00-498-2426	11641987		1-GASKET	
103	26		2530-00-860-0574	10889933		1-GASKET	
103	33		2530-00-064-6667	7748825		1-GASKET	
104	1	PAOZZ	5306-00-165-8241	8757892	19207	BOLT,ASSEMBLED WASHER: GOVERNOR MTG	EA 2
104	2	PAOZZ	2530-00-854-4457	10900525	19207	GOVERNOR ASSEMBLY, AIR COMPRESSOR	EA 1

Current part is item (26) on diagram. Available at [www.oshkoshequipment.com](http://www.oshkoshequipment.com)

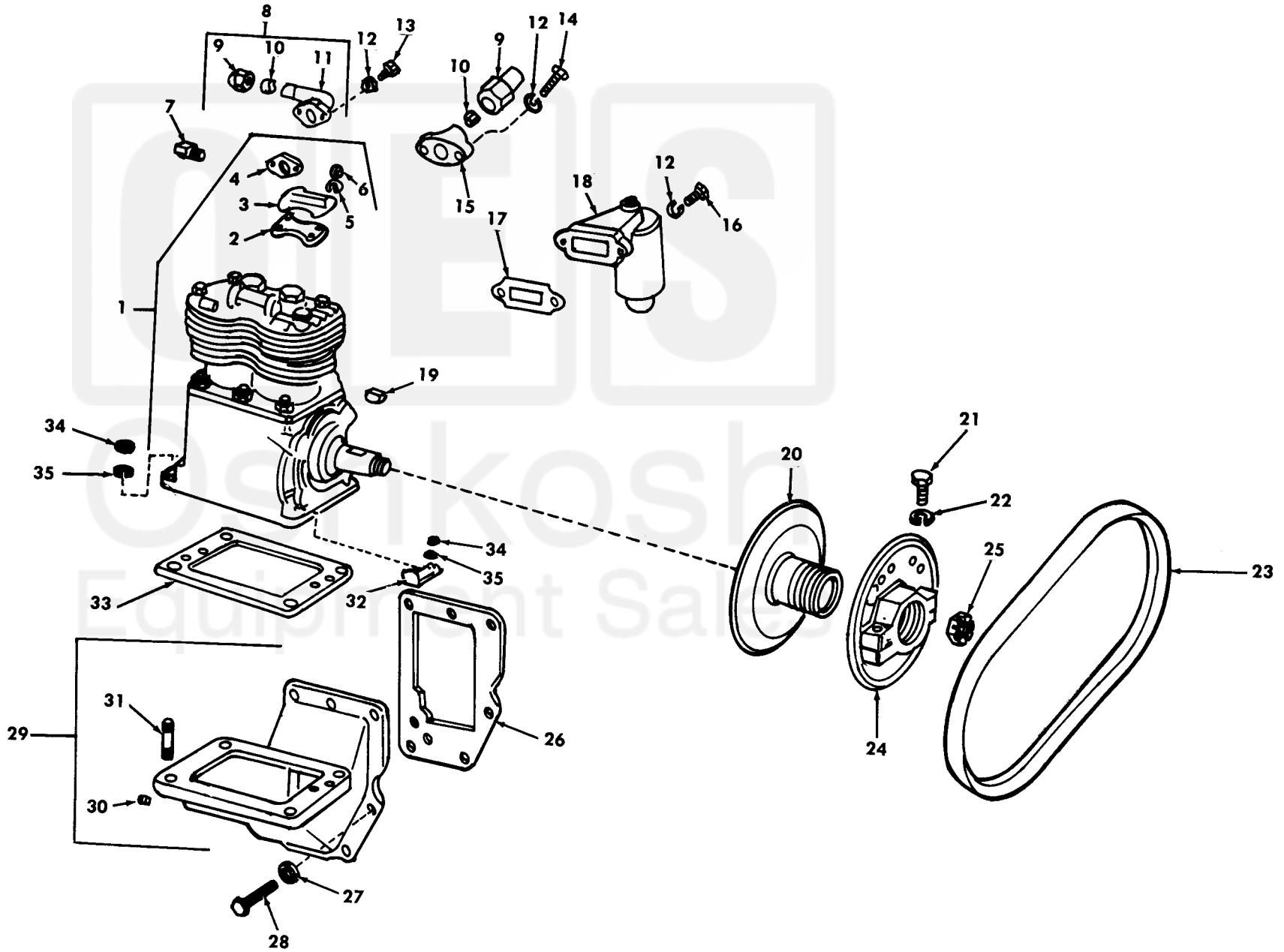


Figure 103. Air compressor and related parts.

TA 096391